

(19)



Europäisches Patentamt
European Patent Office
Office européen des brevets



(11)

EP 0 969 164 A3

(12)

EUROPEAN PATENT APPLICATION

(88) Date of publication A3:
02.02.2000 Bulletin 2000/05

(51) Int. Cl.⁷: E04F 15/04

(43) Date of publication A2:
05.01.2000 Bulletin 2000/01

(21) Application number: 99203328.2

(22) Date of filing: 29.04.1994

(84) Designated Contracting States:
AT BE CH DE DK ES FR GB GR IE IT LI LU MC NL
PT SE

(71) Applicant: Vålinge Aluminium AB
260 40 Viken (SE)

(30) Priority: 10.05.1993 SE 9301595

(72) Inventor: Pervan, Tony
170 72 Solna (SE)

(62) Document number(s) of the earlier application(s) in
accordance with Art. 76 EPC:
99202903.3 / 0 969 163
98201555.4 / 0 877 130

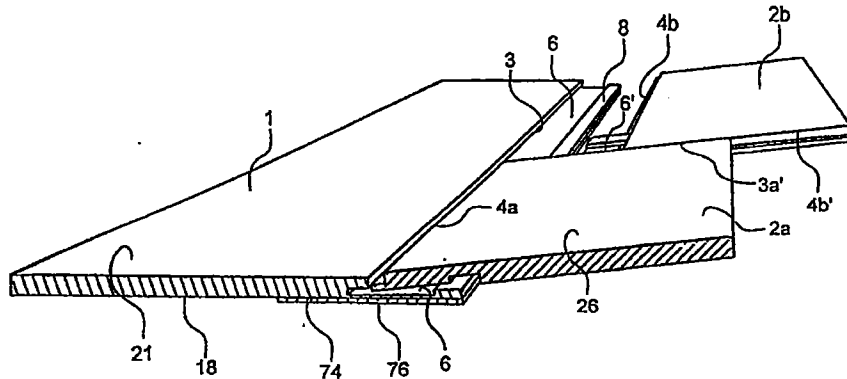
(74) Representative: Giver, Sören Bo
Awapatent AB,
P.O. Box 5117
200 71 Malmö (SE)

(54) **A method for laying and mechanically joining floor panels and a method for producing a floor**

(57) The invention relates to a system for laying and mechanically joining building panels, especially thin, hard, floating floors. Adjacent joint edges (3, 4) of two panels (1, 2) engage each other to provide a first mechanical connection locking the joint edges (3, 4) in a first direction (D1) perpendicular to the principal plane of the panels. In each joint, there is further provided a strip (6) which is integrated with one joint edge (3) and which projects behind the other joint edge (4). The strip

(6) has an upwardly protruding locking element (8) engaging in a locking groove (14) in the rear side (16) of the other joint edge (4) to form a second mechanical connection locking the panels (1, 2) in a second direction (D2) parallel to the principal plane of the panels and at right angles to the joint. Both the first and the second mechanical connection allow mutual displacement of joined panels (1, 2) in the direction of the joint.

Fig. 5



EP 0 969 164 A3



European Patent Office

EUROPEAN SEARCH REPORT

Application Number
EP 99 20 3328

DOCUMENTS CONSIDERED TO BE RELEVANT			
Category	Citation of document with indication, where appropriate, of relevant passages	Relevant to claim	CLASSIFICATION OF THE APPLICATION (Int.Cl.6)
A,P	WO 93 13280 A (JUNCKERS INDUSTRIER A/S) 8 July 1993 (1993-07-08) * abstract, details 1,2,3,14 * * page 4, line 20 - page 6, line 34; figures 1-3 *	1-12	E04F15/14 E04F15/02 E04F13/08 E04F15/04
A,P	FR 2 691 491 A (GERAUD PIERRE) 26 November 1993 (1993-11-26) * page 3, line 5 - page 5, line 32; figures 1-8 *	1-12	
			TECHNICAL FIELDS SEARCHED (Int.Cl.6)
			E04F A47G
The present search report has been drawn up for all claims			
Place of search	Date of completion of the search	Examiner	
THE HAGUE	15 December 1999	Ayiter, J	
CATEGORY OF CITED DOCUMENTS			
X : particularly relevant if taken alone Y : particularly relevant if combined with another document of the same category A : technological background O : non-written disclosure P : intermediate document			T : theory or principle underlying the invention E : earlier patent document, but published on, or after the filing date D : document cited in the application L : document cited for other reasons & : member of the same patent family, corresponding document

EPO FORM 1503 03.92 (P/ACC1)

**ANNEX TO THE EUROPEAN SEARCH REPORT
ON EUROPEAN PATENT APPLICATION NO.**

EP 99 20 3328

This annex lists the patent family members relating to the patent documents cited in the above-mentioned European search report. The members are as contained in the European Patent Office EDP file on The European Patent Office is in no way liable for these particulars which are merely given for the purpose of information.

15-12-1999

Patent document cited in search report	Publication date	Patent family member(s)	Publication date
WO 9313280 A	08-07-1993	CA 2125876 A	08-07-1993
		EP 0624221 A	17-11-1994
		JP 7502580 T	16-03-1995

FR 2691491 A	26-11-1993	NONE	
